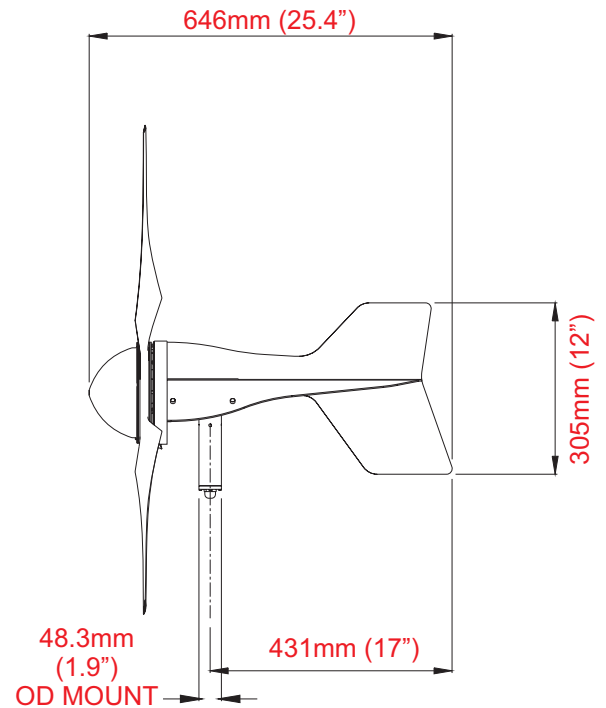
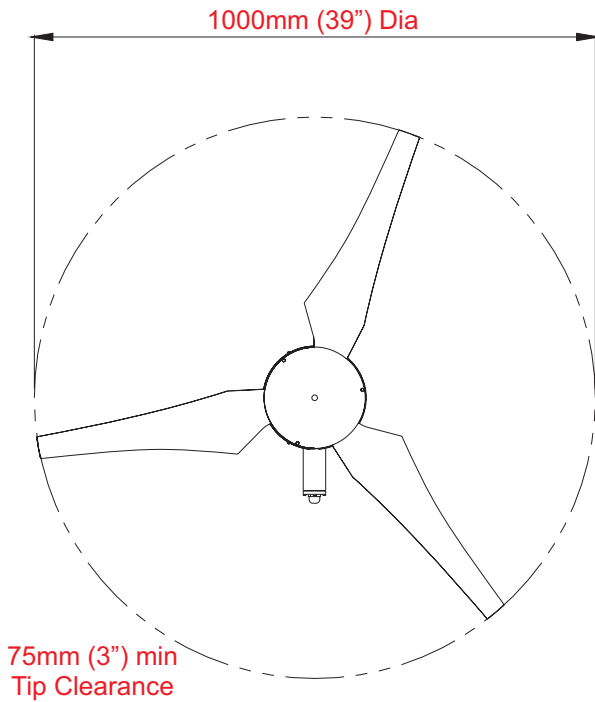


# Wren Extreme

**Samrey Generators  
& Turbines Ltd**

Web: [www.samrey.co.uk](http://www.samrey.co.uk)  
Email: [info@samrey.co.uk](mailto:info@samrey.co.uk)

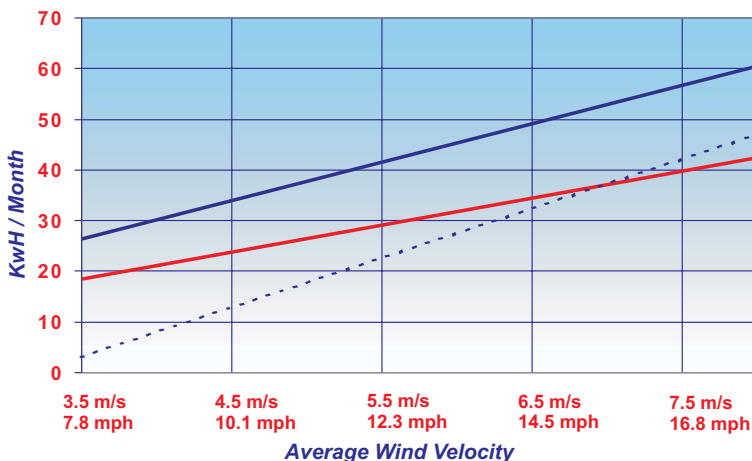


<b>Rotor Diameter:</b>	<b>1 metre (39")</b>
<b>Rated Wind Velocity:</b>	<b>8m/s (17.8mph)</b>
<b>Rated Output:</b>	<b>85 watts</b>
<b>Maximum Output:</b>	<b>300 watts</b>
<b>Rated rpm:</b>	<b>800 rpm</b>
<b>Cut-in:</b>	<b>350 rpm</b>
<b>Weight:</b>	<b>6.5kg (14lb)</b>
<b>Output Voltage:</b>	<b>12V or 24V DC</b>
<b>Tower Mount:</b>	<b>48.3mm (1.9")</b>
<b>Warranty:</b>	<b>2 years (limited)</b>

## Predicted Energy Production (monthly):

Every turbine installation is unique and the energy production may deviate from figures listed here due to many factors such as turbulence and wind shadowing. Particular sites for small wind turbine installations should be evaluated on their merits. If in doubt, seek the advice of an expert.

**Blue Line = Ideal Conditions (no turbulence)**  
**Red Line = Turbulent Conditions**  
**Dashed Line = 'Brand-X' turbine (no turbulence)**



- Based upon the standard Wren Micro-turbine, the Wren Extreme offers upgraded components to endure the harshest marine and industrial applications.
- Suitable for specialist, industrial and marine applications.
- Ingress protected yaw slip-rings
- Heavy duty internal mounting bush with patented polymer bearings
- One of the Lightest heavy-duty turbines available
- Superior & Quiet operation with low TSR rotor
- Excellent performance at truly **low** wind speeds
- Innovative Injection Moulded blades
- Sleek aesthetic appearance
- Tower Kits, mounts and charge controllers available upon request
- Anodised and Powder-coated aluminium and stainless steel components throughout.

